

## Production Engineer

### Company presentation

Fractal Systems is a privately owned company that has its headquarters in Dubai Silicon Oasis (DSO).

We are specialized in event technology, providing a turn key solution for all kind of activation. Established in Dubai in 2011, Fractal Systems collaborates and delivers its professional services throughout the Middle East and Africa.

- Holograms
- Mechatronics
- Crowd Entertainment
- Augmented and Virtual Reality
- Large Interactive Showcases

We are also providing custom solutions for our customers regarding their needs and their targets, including content creation and software development.

### Job Description

Production Engineer needed for an immediate full time opportunity in our R&D Department. Candidates interested in this position should have a minimum of a bachelor's degree in Electronics / Mechanical Engineering, 3 to 5 years of industrial product design and development in UAE. Candidates with a purchasing experiences are preferred.

Candidates with automation experience, robotics and "SolidWorks" knowledges are preferred.

### Responsibilities for the Production Engineer

- Construct, maintain and supervise the installations in-house and on-location.
- Develop products, designs and processes that are efficient and deliver quality products.
- Mechanical design, development and documentation for systems of varied complexity from concept thru production.
- Purchase mechanical and electronic components.
- Interact with customers to gain an understanding of the product requirements. Defines scope, plans and deliverables for assigned work.

### Requirements for the Electronics Engineer

- Qualified applicants have earned a Bachelor of Science degree in Mechanical / Electronics Engineering, (Master's degree is strongly preferred)
- 3-5 years of engineering experience with industrial product design and development.
- Candidates with a purchasing experiences are preferred
- Required knowledge of "3D CAD" / "SolidWorks" to design mechanical components and system development.
- Experience with Automation and Robotics.
- UAE Driving Licence.

فراكتل سيستمز ش م ح  
مبنى أي تي بلازا  
مكتب رقم G10,G11,G12  
واحة دبي للسيليكون  
دبي  
الإمارات العربية المتحدة

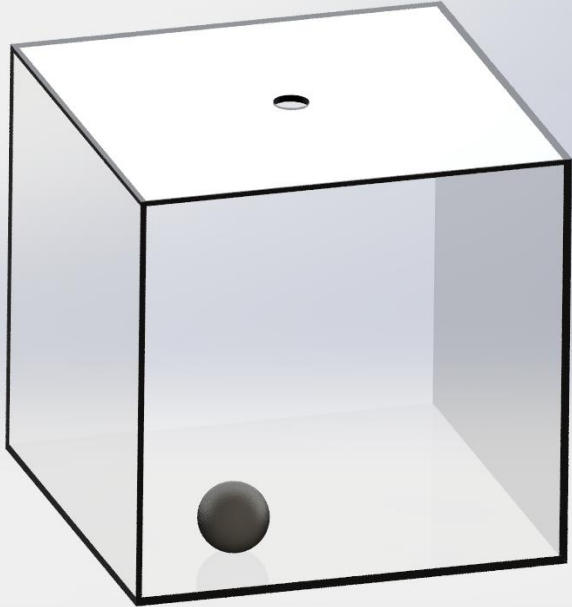
### How to apply

We are looking for creative and out-of-the-box thinker. To give the opportunity to impress us, we challenge you to create a solution to a technical problem.

**Task:**  
Remove the hollow aluminum sphere without breaking (or damaging) the glass box.

**Parameters:**

- Sphere has 20 mm diameter
- Hole in the glass box has 10 mm diameter
- Box walls are 2 mm thick



Along with resume/CV and your portfolio (design, products that you created) please attached the solution that you created and send to the following email address [hr@fractal.ae](mailto:hr@fractal.ae) . Please note the created solutions is mandatory in our recruiting process. Resume and portfolio without the solution will be rejected.